

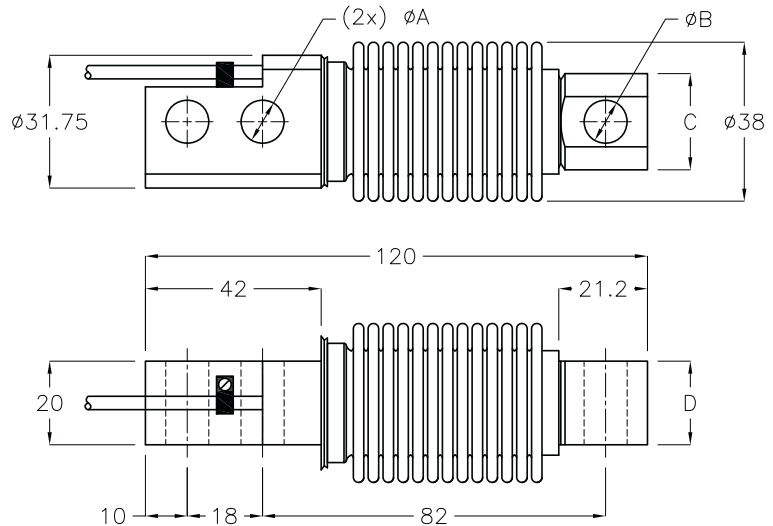
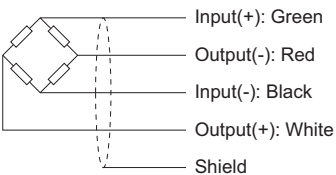
- Type:** Single Ended Beam
- Material:** Stainless Steel
- Protection:** IP 68
- Features:** Low Profile
Nice Exterior
- Application:** Belt Weighing
Hostile Environments
Loss In Weight Feeders
Marine Scales
Food Industries



Specifications:

Capacity	kg	20 / 50 / 100 / 200 / 350 / 500	
Accuracy Class		C3	C4
Max. Number of Verification Intervals	n_{max}	3000	4000
Minimum Load cell Verification Interval	V_{min}	$E_{max}/7500$	$E_{max}/14000$
Temperature Effect on Zero	%FS/10°C	$\leq \pm 0.019$	$\leq \pm 0.010$
Temperature Effect on Sensitivity	%FS/10°C	$\leq \pm 0.011$	$\leq \pm 0.009$
Combined Error	%FS	$\leq \pm 0.020$	$\leq \pm 0.018$
Creep	%FS	$\leq \pm 0.016$	$\leq \pm 0.012$
Output Sensitivity	mv/v	2.0 ± 0.002	
Input Resistance	Ω	430 ± 50	
Output Resistance	Ω	350 ± 3.5	
Insulation Resistance	M Ω	≥ 5000	
Zero Balance	%FS	1.0	
Temperature, Compensated	°C	-10 ~ +40	
Temperature, Operating	°C	-35 ~ +65	
Excitation, Recommended	v	5 ~ 12(DC)	
Safe Overload	%FS	120	
Ultimate Overload	%FS	200	
Standard Cable Length	m	3	

Dimensions:



CAP.(z)	A	B	C	D
20,30,50,100,200	8.2 ^{+0.1} ₀	8.2	23	20
350,500	10.3 ^{+0.1} ₀	10.3	24	19

All dimensions: mm.