

- Type:** Compression
- Material:** Alloy Steel
- Protection:** IP 67
- Features:** Special High Capacity
Hermetically Sealed Structure
Low Profile Design
Fast Dynamic Response
- Application:** Force Measurement
Silo Scales
Hopper Weigher

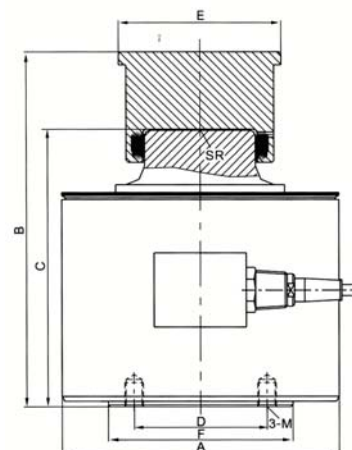
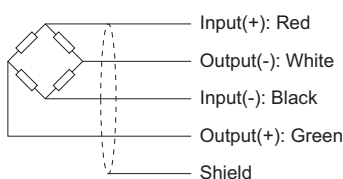


Specifications:

Capacity	t	200 / 500 / 700 / 1000
Accuracy Class		C2
Max. Number of Verification Intervals	n _{max}	2000
Temperature Effect on Zero	%FS/10°C	≤ ± 0.02
Temperature Effect on Sensitivity	%FS/10°C	≤ ± 0.02
Combined Error	%FS	≤ ± 0.05
Creep	%FS	≤ ± 0.02
Hysteresis	%FS	≤ ± 0.05
Output Sensitivity	mv/v	2.0 ± 0.01
Input Resistance	Ω	1165 ± 10
Output Resistance	Ω	1050 ± 5
Insulation Resistance	MΩ	≥ 5000
Zero Balance	%FS	1.0
Temperature, Compensated	°C	-10 ~ +50
Temperature, Operating	°C	-20 ~ +60
Excitation, Recommended	v	5 ~ 12(DC)
Safe Overload	%FS	120
Ultimate Overload	%FS	150
Standard Cable Length	m	12

Dimensions:

CAP.(t)	A	B	C	D	E	F	SR	M
200	150	190	150	72	88	100	600	M10
500	235	290	230	130	150	170	800	M16
700	265	330	260	160	168	200	1000	M18
1000	320	390	310	200	190	260	1500	M20



All dimensions: mm.