

Type: Double Ended Beam

Material: Alloy Steel

Protection: IP 67

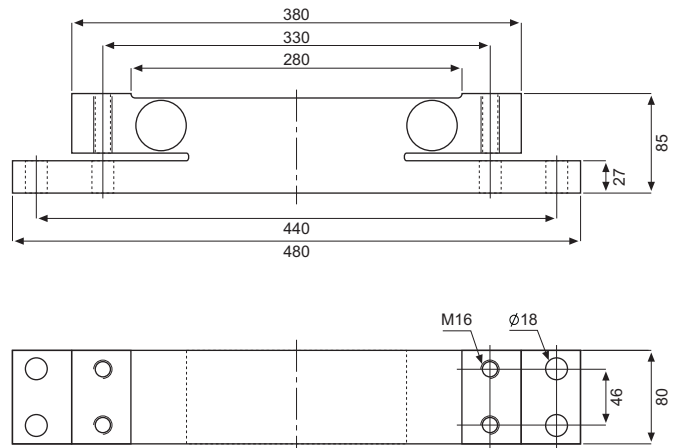
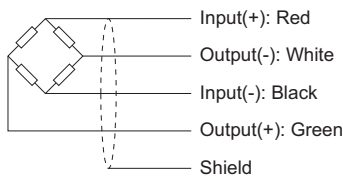
Application: Truck On-board Scale, Crane Scales



Specifications:

Capacity	t	10 / 15 / 20 / 25 / 30
Max. Number of Verification Intervals		1000
Temperature Effect on Zero	%FS/10°C	≤ ± 0.02
Temperature Effect on Sensitivity	%FS/10°C	≤ ± 0.02
Combined Error	%FS	≤ ± 0.1
Creep	%FS	≤ ± 0.05
Output Sensitivity	mv/v	2.0 ± 0.005
Input Resistance	Ω	750 ± 10
Output Resistance	Ω	702 ± 3
Insulation Resistance	MΩ	≥ 5000
Zero Balance	%FS	±1
Temperature, Compensated	°C	-20 ~ +60
Temperature, Operating	°C	-30 ~ +70
Excitation, Recommended	v	5 ~ 15
Safe Overload	%FS	150
Ultimate Overload	%FS	200
Standard Cable Length	m	5

Dimensions:



All dimensions: mm.