

Type: Compression (Spoke Type)

Material: Stainless Steel / Alloy Steel

Protection: IP 68

Features: Anti-Corrosion
Low Profile

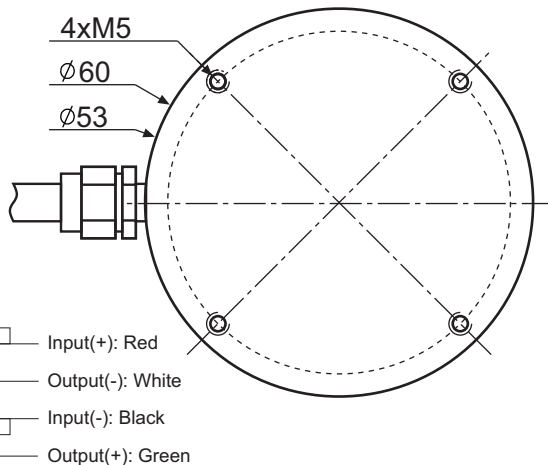
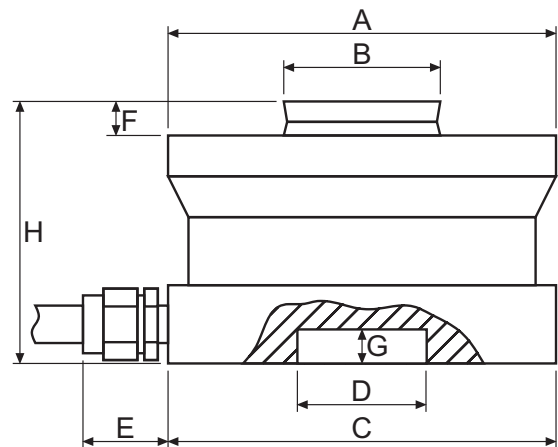
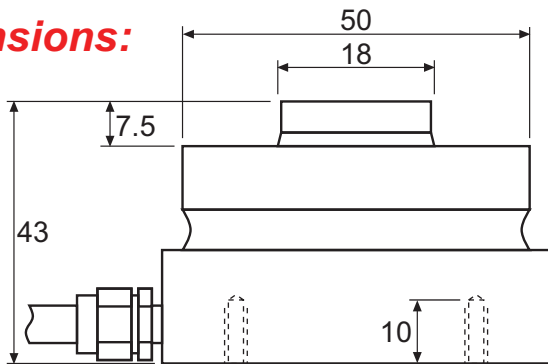
Application: Truck & Silo Scales
Hopper Weigher
Industrial Weighers



Specifications:

Capacity	t	1 / 2.2 / 3.3 / 4.7	10 / 15 / 22 / 33	47 / 68 / 100 / 150
Temperature Effect on Zero	%FS/10°C	≤ ± 0.03	≤ ± 0.03	≤ ± 0.03
Temperature Effect on Sensitivity	%FS/10°C	≤ ± 0.03	≤ ± 0.03	≤ ± 0.03
Combined Error	%FS	≤ ± 0.03	≤ ± 0.05	≤ ± 0.1
Creep	%FS	≤ ± 0.03	≤ ± 0.03	≤ ± 0.03
Output Sensitivity	mv/v	2.85 ± 0.015		
Input Resistance	Ω	1450 ± 10		
Output Resistance	Ω	1402 ± 5		
Insulation Resistance	MΩ	≥ 5000		
Zero Balance	%FS	1.0		
Temperature, Compensated	°C	-10 ~ +40		
Temperature, Operating	°C	-30 ~ +70		
Excitation, Recommended	v	10 ~ 12(DC)		
Safe Overload	%FS	150		
Ultimate Overload	%FS	200		
Standard Cable Length	m	8	12	16

Dimensions:



CAP.(t)	A	B	C	D	E	F	G	H
10	75	30	75	25	20	6.5	7	50
15	75	30	75	25	20	6.5	7	50
22	75	30	75	25	20	6.5	7	50
33	95	40	95	25	20	10	7	65
47	130	60	130	25	20	14	7	75
60	130	60	130	25	20	14	7	85
100	150	70	150	25	20	16	7	90
150	150	70	150	25	20	16	7	100

All dimensions: mm.